



Industrial Shock Absorber



Wire Rope Isolator



Rotary CAM Indexer



Manual / Power Clamp

deceler  vibrotek
selling solutions ...



Safety Light Curtains / Scanners



Pneumatic Cylinders



Speed / Feed Controls



Rotary Union & Joints

We are not just selling products, we are
"SELLING SOLUTIONS"



KINECHEKS®

SPEED REGULATORS
FOR MOVING DEVICES

THREADED
SUPER K

THREADED
SLIMLINES

THREADED
MINI K

10,000,000 cycles successfully tested with out leaking oil



DESCHNER




SPEED REGULATORS
FOR MOVING DEVICES

THE ORIGINAL SLIMLINE KINECHEK SPEED REGULATOR!



KINECHEKS are available in stroke lengths of $\frac{1}{2}$ ", 1, $1\frac{1}{4}$ ", $1\frac{1}{2}$ ", 2, 3, 4, and 6 with capacity of up to 1200 lbs. There are no sliding seals, and no heavy springs to make the plunger bind or jerk so **KINECHEKS** give smooth, consistent control of moving devices whether the force is 2- $\frac{1}{2}$ or 1200 lbs. Constant speed month after month! **Kinecheks** are absolutely leakproof in any position because the plunger rod is hermetically sealed by a patented frictionless rolling diaphragm seal. They won't leak even a drop of fluid a year unless damaged! More precise in movement than conventional hydraulic speed regulators because their super-clean silicone fluid is sealed in for life and filtered every stroke. No dirt, dust or lint can contaminate the fluid so the internal flow aperture never silts to cause variation in plunger speed. Easy to adjust to your exact needs because the range of adjustment is over 300° with a very smooth, gradual rate of change. Each and every Deschner product is tested at its rated capacity to check constancy, load-holding ability and adjustability. **KINECHEK** speed regulators are the ideal velocity control to regulate the feed rate of pneumatic drills, second operation lathes, mill tables, or any equipment that requires a constant rate of movement.

KINECHEK SPEED REGULATORS



- ⊗ **10,000,000** cycles successfully tested with out leaking oil
- ⊗ Single adjustable orifice
- ⊗ Constant rate throughout the entire stroke length
- ⊗ Patented rolling diaphragm seal, which make the units leak proof

KINECHEK – HYDRAULIC SPEED REGULATOR



Start of first stroke, rod fully extended just prior to application of thrust. Kinecheks operate in the compression portion of the stroke only.



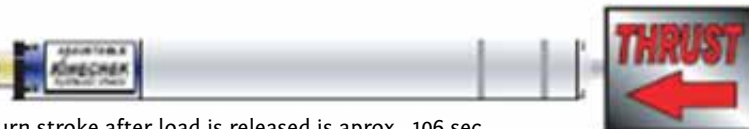
Force applied, rod in compression stroke, constant feed speed controlled by adjustable Kinechek. Feed rate will remain constant through out the entire stroke of the Kinechek until the load is released and the rod extends.



Full stroke time for a Standard 2" Stroke Kinechek is variable from 0 sec. to 10 minutes dependent upon load and the adjustment setting of the Kinechek.



Return stroke after load is released is approx. .106 sec



End of compression stroke, load is removed and the rod return to its starting position, fully extended. Compression stroke is slow and steady. Return stroke is very quick.



SLIMLINE



The SLIMLINE KINECHEK is the original hydraulic check that has set the industry standards for compactness, reliability and constancy in feed control. It is available in stroke lengths of 1/2 inch, 1 inch, 2 inch and 3 inch; all with a 1200 lb. maximum capacity. The wide selection of models described below will provide a solution to most of your motion control problems. Please contact factory if you have requirements for thrust loads greater than 1,200 lbs.

SPECIFICATIONS

1 Model No. of Kinechek Slimline	2 Description	3 Stroke	4 Minimum Force That Will Operate Plunger Full Stroke	5 Plunger Return Spring Force	6 Time Req'd for Plunger to Return Outward if Released Suddenly	7 Load That Will Push Plunger 1 in. Per Sec. at Fastest Adjustment	8 Load That Will Push Plunger 4 in. Per Sec. at Fastest Adjustment	9 Time for Full Stroke of Plunger at Slowest Adjustment		
								1000 lb. Load	500 lb. Load	100 lb. Load
1001-31-1/2	extra fast	1/2 in.	5 lbs.	4 lbs.	.015 sec.	6 lbs.	10 lbs.	0.5 sec.	1 sec.	5 sec.
1003-31-1/2	fast				.020 sec.	9 lbs.	19 lbs.	4 sec.	9 sec.	50 sec.
1002-31-1/2	standard				.031 sec.	11 lbs.	33 lbs.	8 sec.	18 sec.	150 sec.
1004-31-1/2	slow speed				.186 sec.	30 lbs.	90 lbs.	38 sec.	90 sec.	12.5 min.
1001-31-1	extra fast	1 in.	5 lbs.	4 lbs.	.030 sec.	6 lbs.	10 lbs.	1 sec.	2 sec.	10 sec.
1003-31-1	fast				.041 sec.	9 lbs.	19 lbs.	8 sec.	18 sec.	100 sec.
1002-31-1	standard				.063 sec.	11 lbs.	33 lbs.	15 sec.	35 sec.	5 min.
1004-31-1	slow speed				.378 sec.	30 lbs.	90 lbs.	75 sec.	180 sec.	25 min.
1001-31-2	extra fast	2 in.	5 lbs.	4 lbs.	.052 sec.	6 lbs.	10 lbs.	2 sec.	5 sec.	20 sec.
1003-31-2	fast				.070 sec.	9 lbs.	19 lbs.	15 sec.	35 sec.	200 sec.
1002-31-2	standard				.106 sec.	11 lbs.	33 lbs.	30 sec.	70 sec.	10 min.
1004-31-2	slow speed				.730 sec.	30 lbs.	90 lbs.	150 sec.	6 min.	50 min.
1001-31-3	extra fast	3 in.	5 lbs.	4 lbs.	.115 sec.	6 lbs.	10 lbs.	3 sec.	7 sec.	30 sec.
1003-31-3	fast				.155 sec.	9 lbs.	19 lbs.	23 sec.	55 sec.	5 min.
1002-31-3	standard				.235 sec.	11 lbs.	33 lbs.	45 sec.	105 sec.	15 min.
1004-31-3	slow speed				1.620 sec.	30 lbs.	90 lbs.	225 sec.	9 min.	75 min.

Capacity: 1200 lbs. Maximum – Including Impact When Load Strikes Plunger

135°F Maximum Continuous Operating Temperature

DIMENSIONS AND WEIGHTS

Model No.	Stroke	Weight	A	B	C
1__-31-1/2	1/2 in.	11.5 oz.	6.33	.687	4.28
1__-31-1	1 in.	12.5 oz.	7.83	1.187	5.28
1__-31-2	2 in.	16.5 oz.	10.87	2.187	7.31
1__-31-3	3 in.	19.2 oz.	13.87	3.187	9.31

FIGURE 14

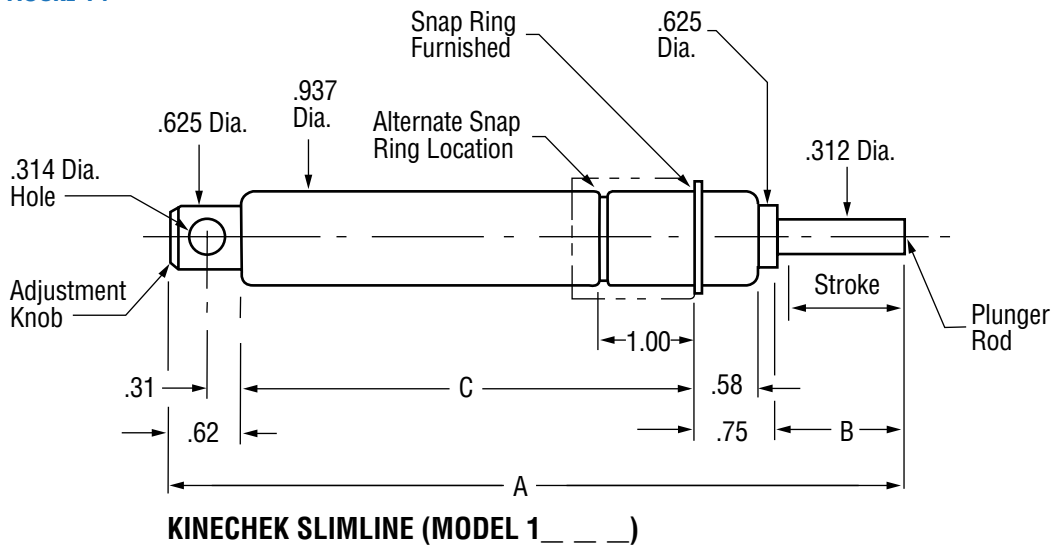
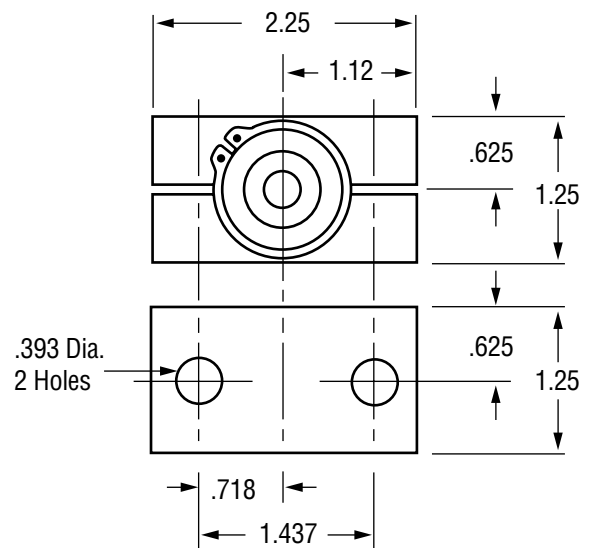


FIGURE 15

MOUNTING BLOCK NO. A10031 (SLIMLINE)



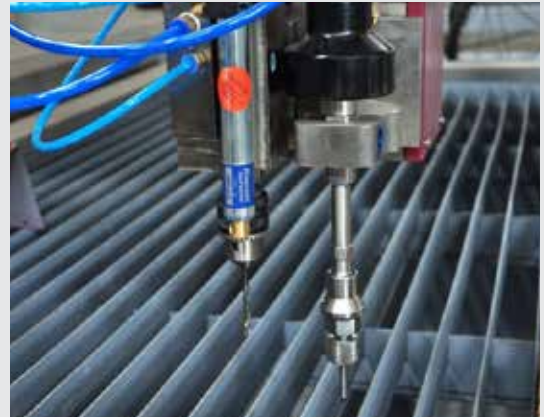
APPLICATIONS



McLean Production Lathe using Deschner Kinecheks

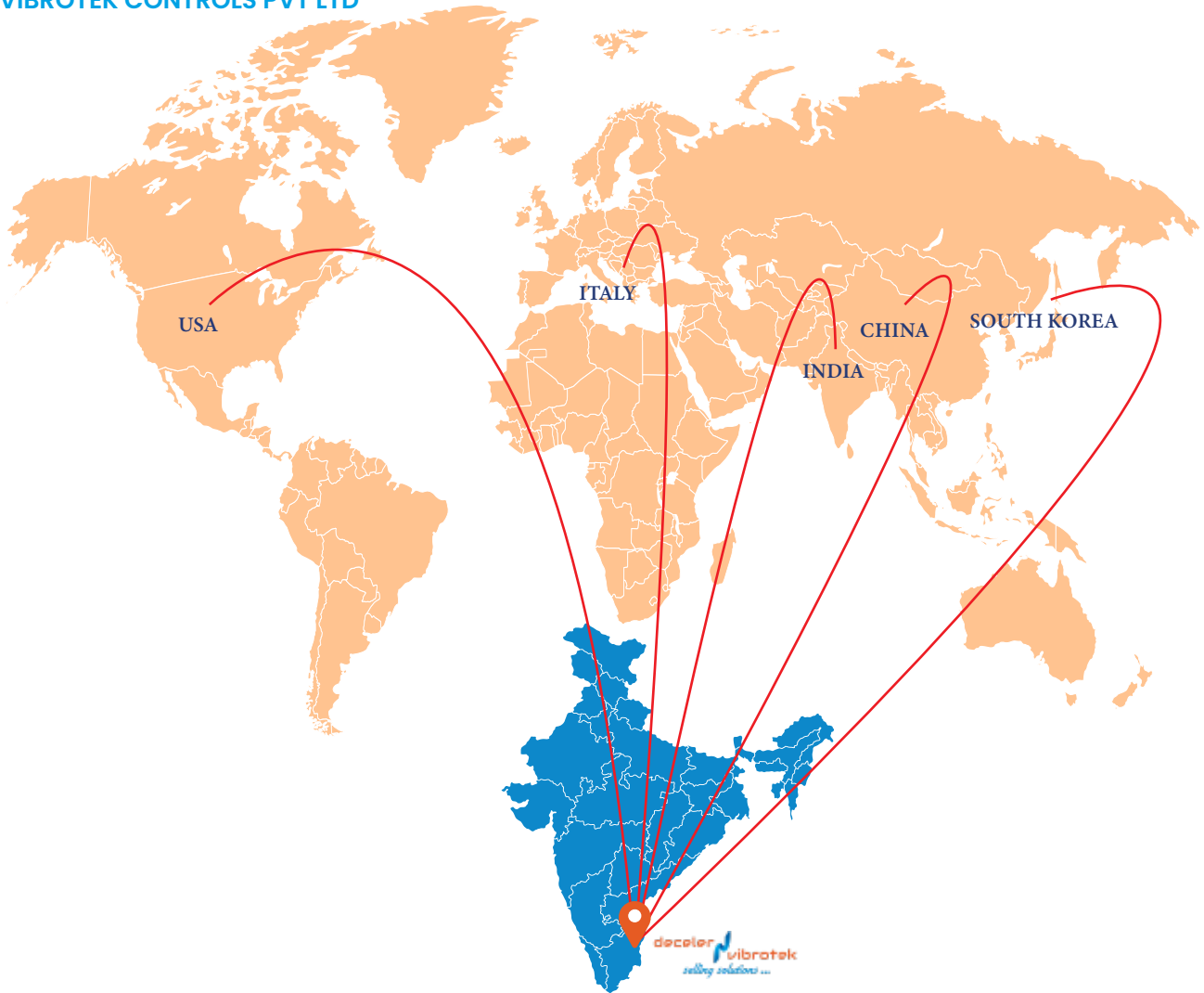
- ⊙ Regular Drilling (Automatic and Manual)
- ⊙ Automated Drilling machines
- ⊙ Manual drill press
- ⊙ Air feed drills and hand held drills

- ⊙ Regular Drilling (Automatic and Manual)
- ⊙ Automated Drilling machines
- ⊙ Manual drill press
- ⊙ Air feed drills and hand held drills



Auto Ball NUT Drilling System

- ⊙ Other applications where a controlled feed rate or precise impact absorption is critical



Registered Office



Deceler Vibrotek Controls Pvt Ltd

No: 38, 1st Floor, Arul Mary Street, Soosaiya Nagar, Noombal,
Chennai - 600 077. Tamilnadu, India.



Our Branches

Chennai


Hyderabad & Visakhapatnam

Bengaluru

Delhi



for Queries & Support
sales@deceler.in

 +91 - 94455 25883

 www.deceler.in