

SFG Series

Suction Cup for Gales



Size: $\phi 125\text{mm} \sim \phi 400\text{mm}$

- Optimum suction
- Ideal buffer effect
- High suction force
- High lateral force



Handling workers with smooth surface such as glass, plastic, plexiglas.
Handling thin surfaces such as sheet glass or coated glass.
Handling glass plate surfaces with separation power.

AIRBEST

Make Smart Go Together



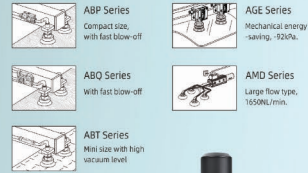
Suction Cups for Metal Sheet in Automotive Industry

- For oily metal sheet
- For uneven surface
- Slipping resistance
- Prevent deformation
- Good sealing



NEW PRODUCTS

Vacuum Generator



ABT Series
Mini size with high vacuum level

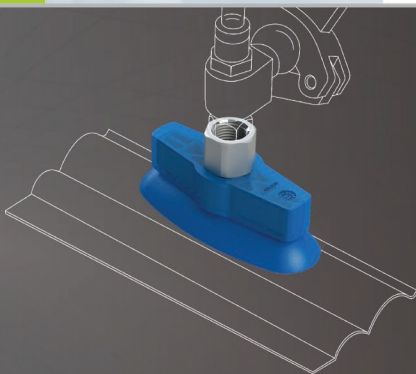
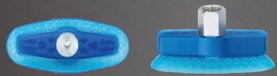


SOM Series

Oval Flat Suction Cup



- Accurate direction positioned



NEW PRODUCT

AZW Series

Large Flow Combined Type Vacuum Ejector



- Air supply: 5.0 bar.
- Max. Vacuum level: -95 kPa.
- Max. Vacuum flow: 140 NL/min.



Fast vacuum pumping
Save time 10%+

www.airbest.com

AGS Series Vacuum Pump

Vacuum Cartridge

Small size / energy-saving / high efficiency / good flexibility
Simple structure / easy to maintain



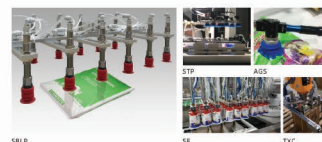
AIRBEST
www.deceler.in



Vacuum suction cup for Flexible packages/Cartons/Bag opening/Labeling



Vacuum Components for Packaging Industry
www.airbest.com



Max. vacuum level: -95kPa
Max. vacuum flow: 372NL/min



AGS Series

Vacuum Pump

- Small size
- Energy-saving
- High efficiency
- Good flexibility

AGS series vacuum pumps with simple structure and small size, are widely used in various industries such as 3C/Packaging, Sheet metal and Logistics, mainly for distributed vacuum system.



AZQ Series

Compact Type Integrated Vacuum Generator



Energy Saving
Air consumption saving 68%
Maximum vacuum level -91kPa

Compact
Volume of single unit 43.5cm³
Width decreasing 26%

Easy to Operate
Easy-to-operate Vacuum pressure switch
Remote operation
High operability, LED display
200% output current output
200% output torque output

Easy to Maintain
Manifold as required
Space saving

